



CORRIDOR



Antenna Design for Cognitive Radio applications

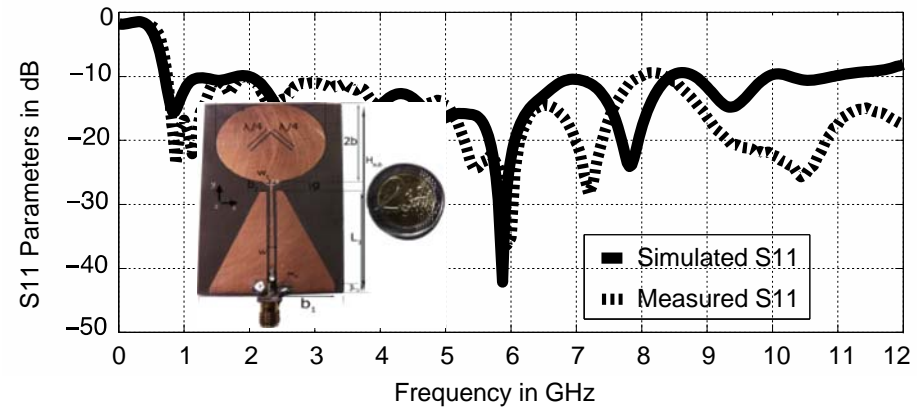
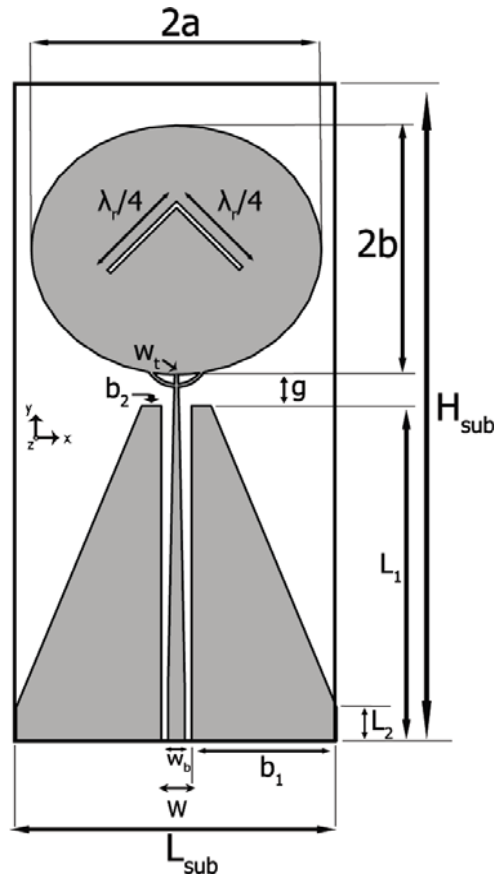
H. Rabah, Divitha SEETHARAMDOO, Marion BERBINEAU
LEOST, IFSTTAR
divitha.seetharamdoo@ifsttar.fr



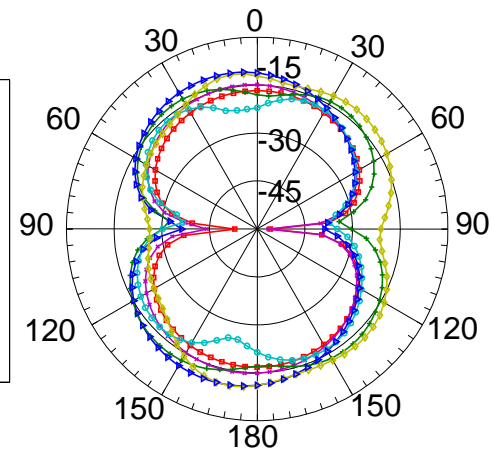
Challenges for antenna design for Cognitive radio

- Miniaturisation
- Large bandwidth
- Radiation efficiency
- Isolation and Cohabitation

First prototype – Miniaturisation and Bandwidth



- f=0.75 GHz
- f=1.5 GHz
- f=2.4 GHz
- f=5.6 GHz
- f=7.5 GHz
- f=10.6 GHz



Thank you for your attention
Questions?

