



INRETS EMC Patent
FR 00 06193 (May, 16th 2000)

Dr. Marco Klingler
INRETS-LEOST
20, rue Elisée Reclus
59650 Villeneuve d'Ascq – FRANCE

Tel: +33 3 20 43 83 35 Fax: +33 3 20 43 83 59

e-mail: marco.klingler@inrets.fr

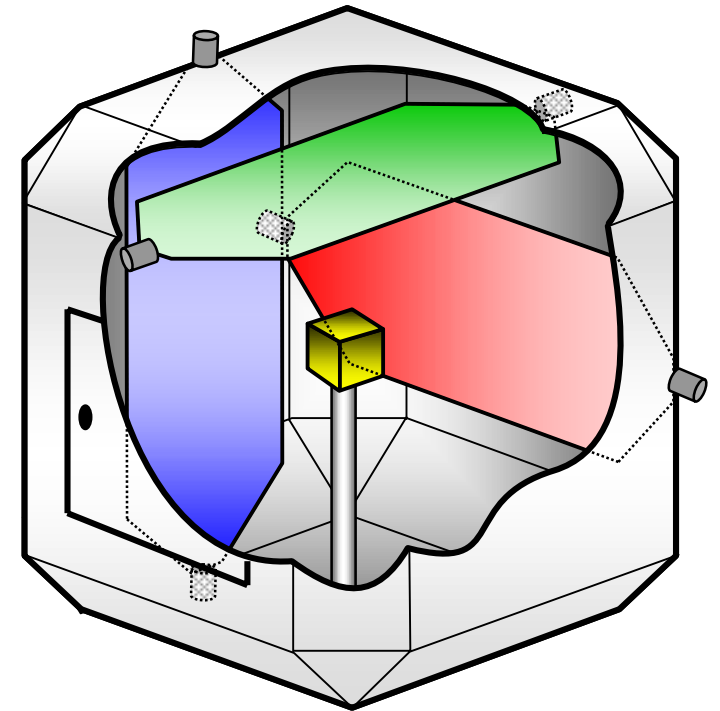
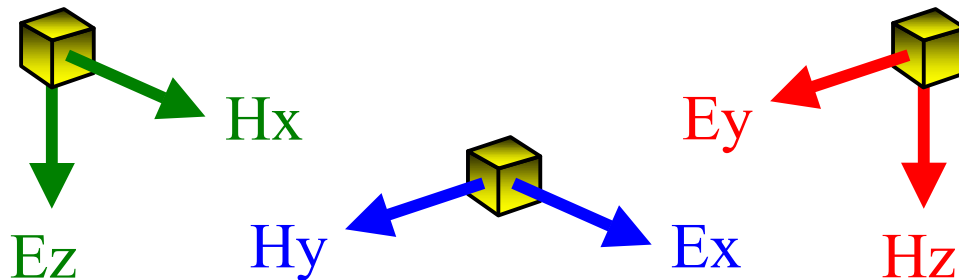
web: www.inrets.fr



New 3-Dimensional Cells

At low frequencies :

- 3 TEM cells in 1
- 3 Orthogonal TEM coupling planes



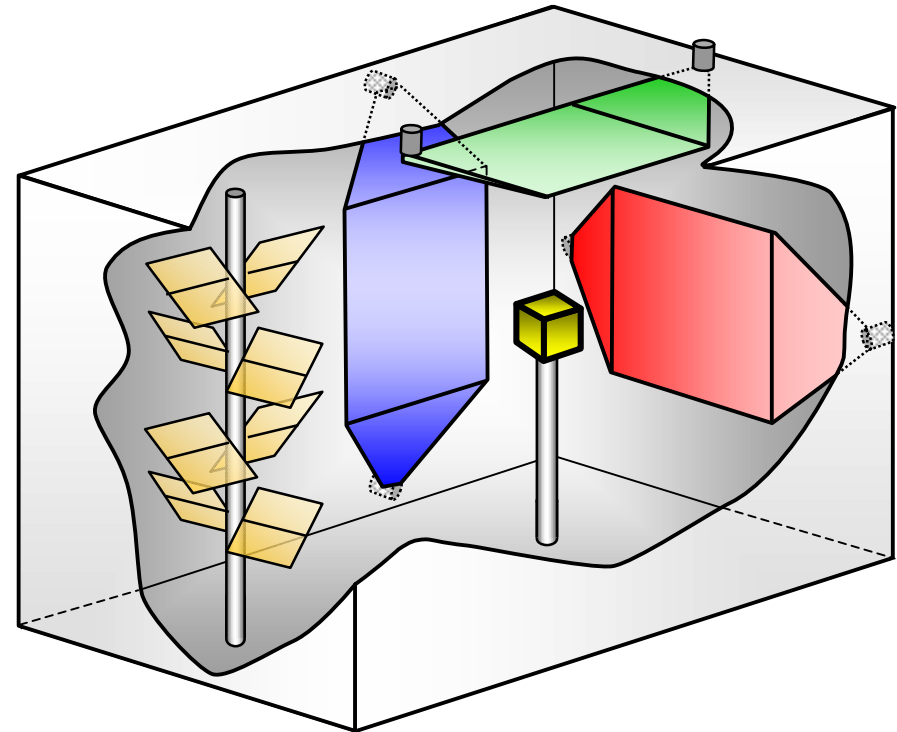
- Balanced or unbalanced structure



New 3-Dimensional Chambers

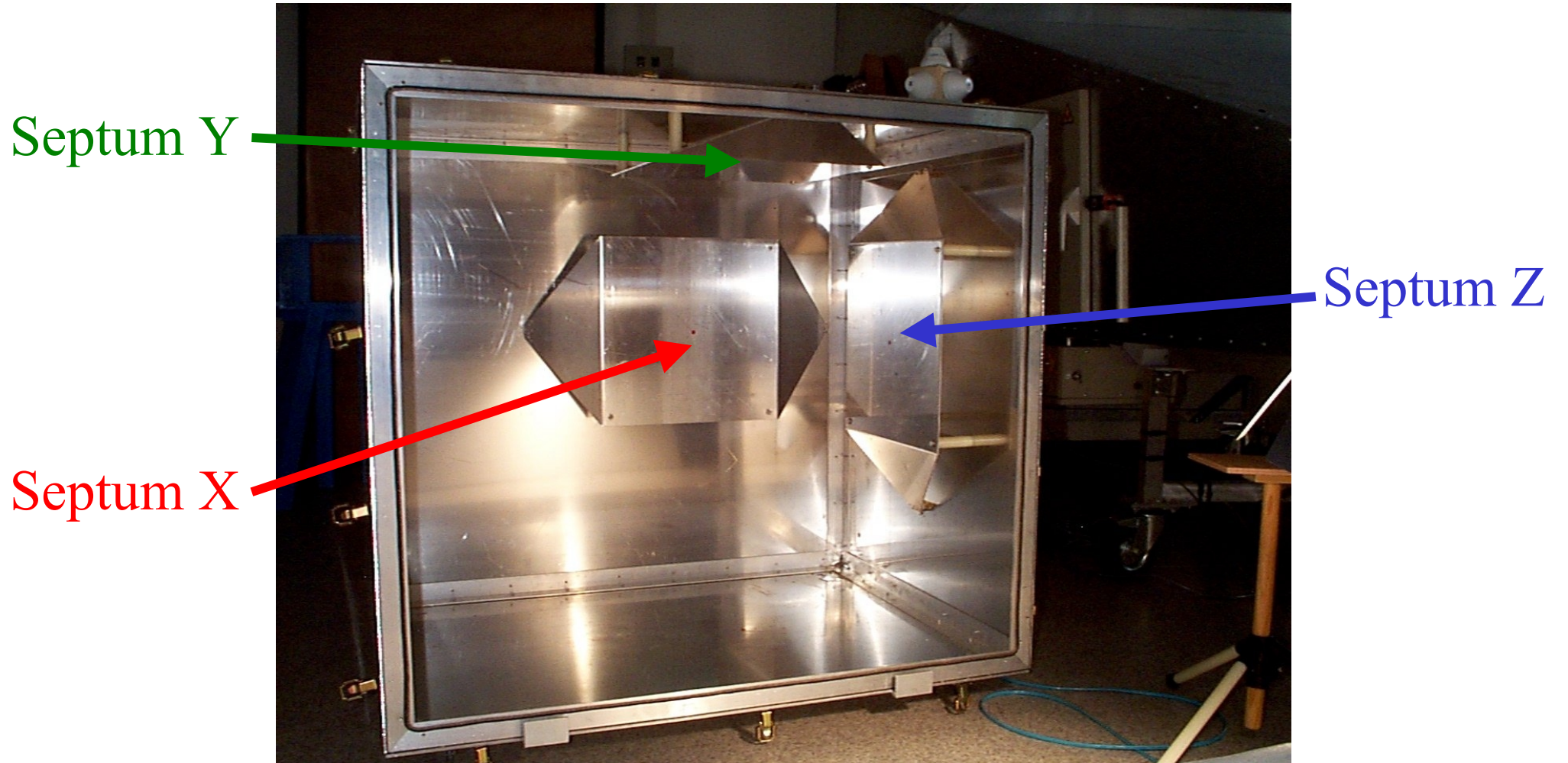
At high frequencies :

- ❑ Resonance of the cavity
- ❑ Modified Stirred Mode Reverberating Chamber
- ❑ Breaks the low frequency limitation



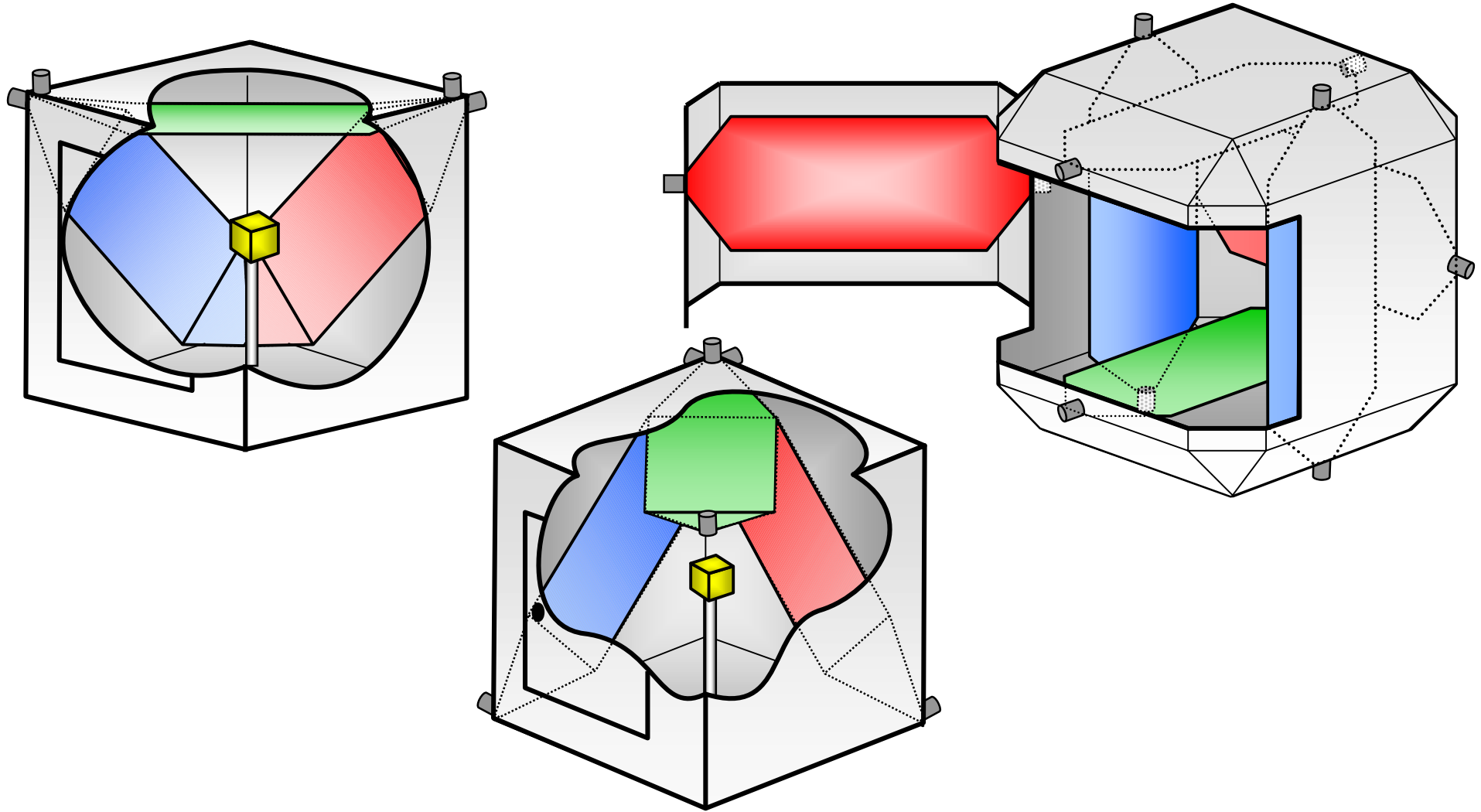


First Prototype





Different Configurations

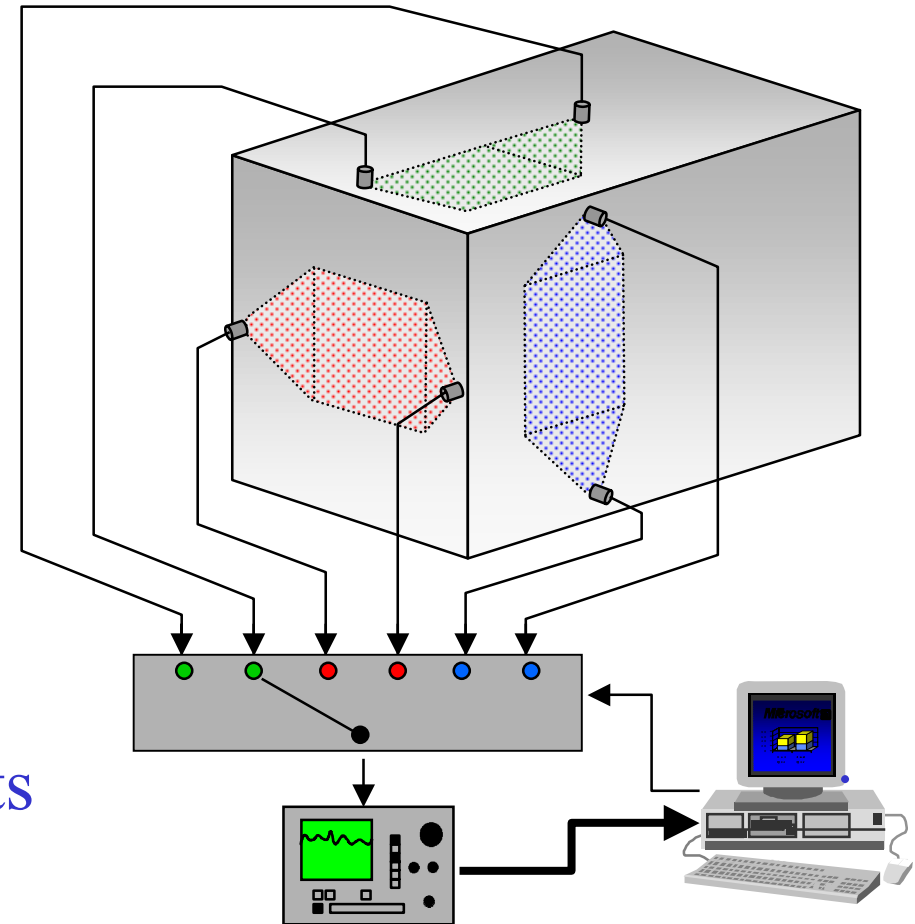


INRETS EMC Patent FR 00 06193



Frequency-Domain Emission Tests

- Sequential 3D measurements
- No orientation of the object under test
- Single power measurements
 - ☞ Total radiated power
- Combined power measurements
 - ☞ Radiation pattern





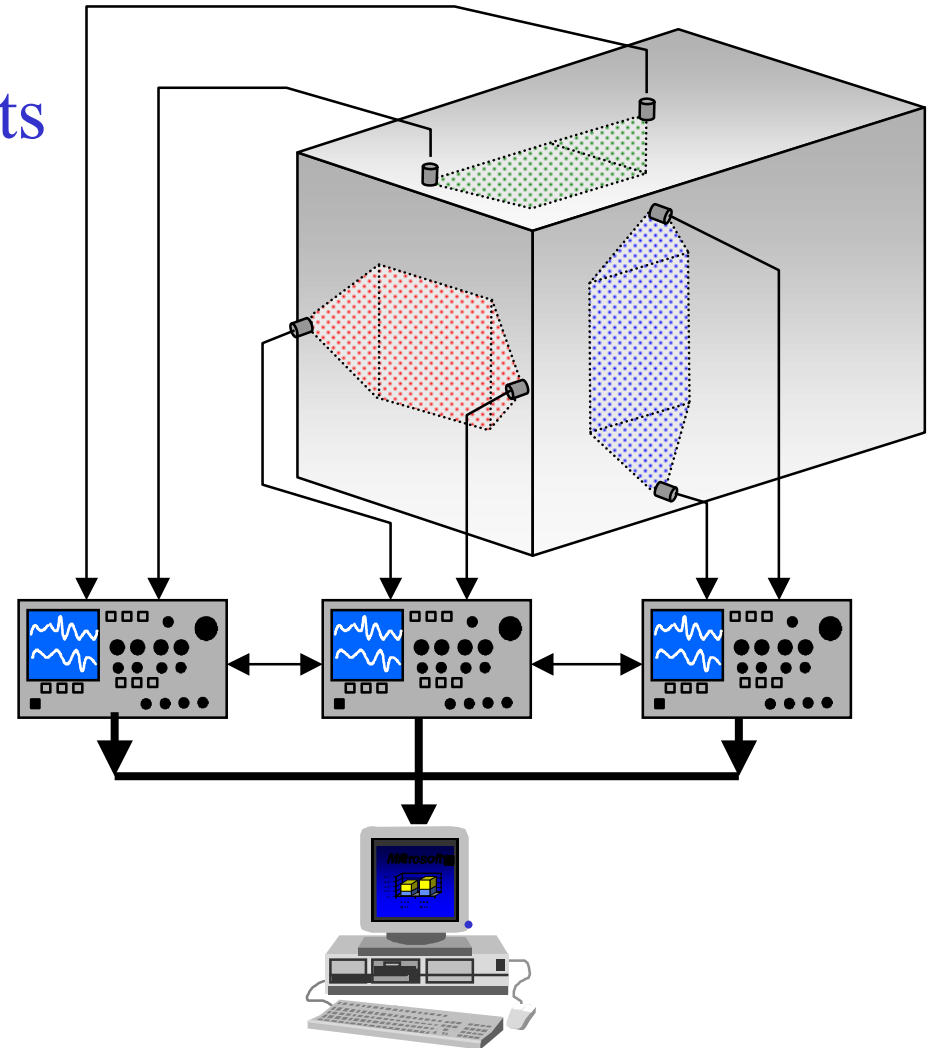
Time-Domain Emission Tests

- ❑ Simultaneous 3D measurements
- ❑ No orientation of the object under test
- ❑ Single power measurements

 Total radiated power

 Radiation pattern

 Emission diagnostic





Immunity Tests

□ Individual or combined power input

□ No orientation of the object under test

□ Lower frequencies

☞ Stirred TEM coupling

□ Higher frequencies

☞ Stirred Mode Chamber

